



ATK North America - Quality Remanufactured Products Since 1936
1102 W.N. Carrier Pkwy., Ste. 100, Grand Prairie, TX 75050

18 Month Unlimited Hour Warranty Nationwide Parts & Labor

- MARINE QUALITY PARTS
- EXPANDED NATIONWIDE INVENTORY
- NO FAULT WARRANTY PROGRAMS AVAILABLE
- REMANUFACTURED-NEW-HIGH PERFORMANCE APPLICATIONS IN STOCK!
- GUARANTEED CORE

Engine Rotation

Engine rotation is determined by observing flywheel rotation from the rear (stern end) of the engine looking forward (toward water pump end). Propeller rotation is not necessarily the same as engine rotation. When ordering replacement engine, short blocks or parts for engine, be certain to check engine rotation. Do not rely on propeller rotation in determining engine rotation.

Stern Drive (Inboard/Outboard, Outdrive)

The engine is mounted inside the boat. The transmission/drive unit is outside, attached to the transom. The engine and drive unit are joined by a torque coupler and universal joint.

Inboard

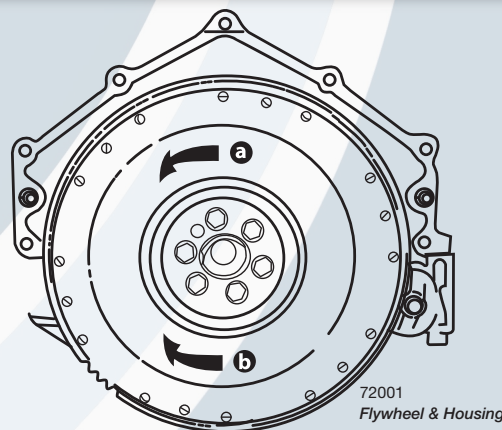
The engine and transmission/drive unit are inside the boat. A drive shaft is connected at the rear of the transmission and is run out of the hull through a sealing unit. The propeller is connected directly to the drive shaft at the in-water end.

V-Drive

Basically a modified inboard installation. The engine is mounted with the front (pulley end) facing stern (rear). The transmission faces the bow (front) and by the use of a universal joint on the end of the transmission, the drive shaft is directed stern-wards under the engine and through the hull.

Jet Drive

The engine is mounted inside the boat and attached to a high speed pump which draws in water through an intake grate, increases its velocity and forces it out through a directionally-adjustable nozzle which is mounted outside the boat.



a. Standard Left Rotation – All MCM Stern Drive Engines, MIE Inboard, Left Hand Rotation Engines.

b. Opposite Right Hand Rotation – MIE Inboard Right Hand Rotation Engines.



ATK North America - Quality Remanufactured Products Since 1936

2014 Marine Engines Applications Guide



18 Month Unlimited Hour Warranty

Why Buy an ATK Marine Engine?

- BUILT FOR MARINE USE
- GUARANTEED CORE
- FREE FREIGHT ANYWHERE IN THE CONTINENTAL U.S.

For additional application assistance
Call 800-421-3746



